

Folding Stairs LIS-klap

The safety folding stairs for your loading system

The safety folding stairs for your loading system **LISTENOW** supplies **LIS-klap** safety folding stairs to give operators easy access to vehicles, such as tankers, silo trucks and tank wagons. Our folding stairs are based on a flexible, robust design to allow personnel to access the vehicles in maximum safety. Anti-slip safety steps, hand rails and a stable support structure ensure accident-free access at the loading point. We supply folding stairs with 3, 4, and 5 steps. All models are ready to use immediately after installation.

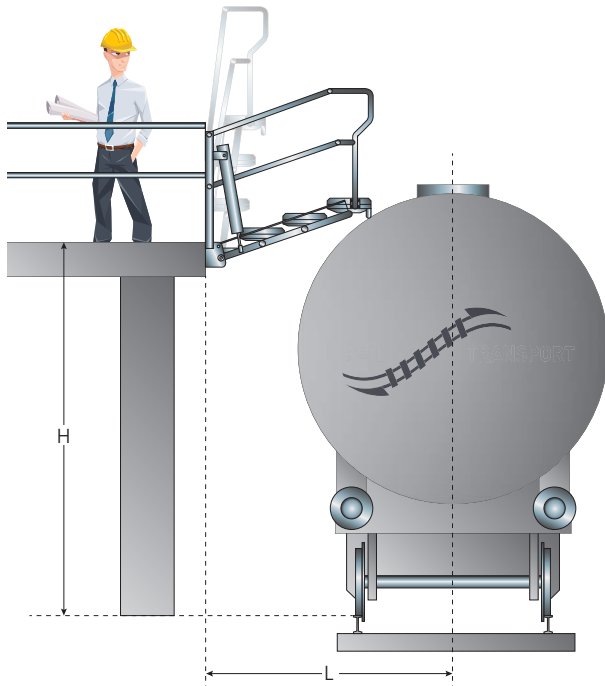
Special features:

Once screwed on, these folding steps are immediately ready to use. Compliant with test 95029 of the Technical Committee for Built Environments of the Central Office of the German Federation of Institutions for Statutory Accident Insurance and Prevention.

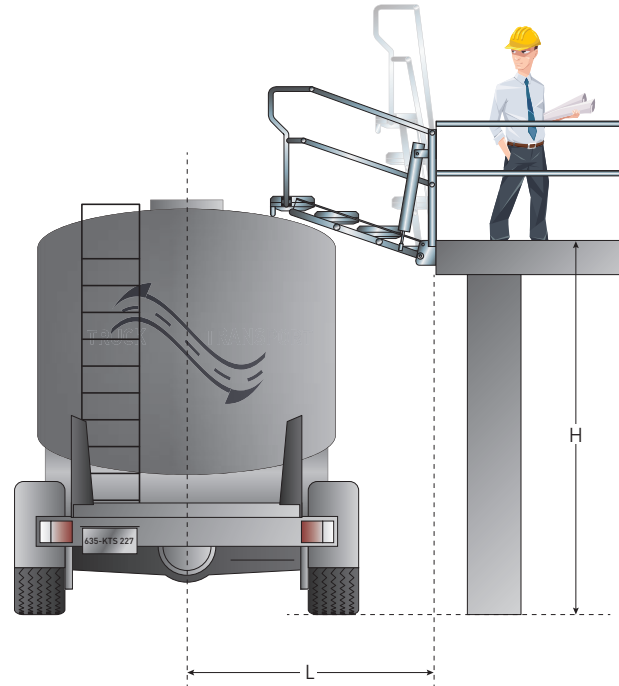


LISTENOW LKL 07/2015 EN • We are committed to the constant development of our products, texts, diagrams and technical data and reserve the right to make changes to this information at any time.

Tanker loading



Tank wagon loading



Technical data

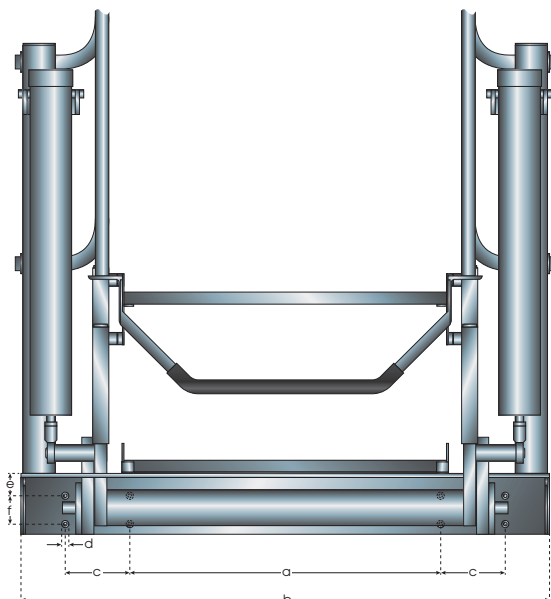
Lenght [L] in mm	Hight [H] in mm
4 step 2,200*	3,400 - 4,200
5 step 2,600	

* for low platforms, take account of available clearance

Technical data

Lenght [L] in mm	Hight [H] in mm
3 step 1,650 **	2,800 - 3,400
4 step 2,150	

** recommendation: lateral impact protection



Mount measurements

a	770
b	1,310
c	160
d	18
e	55
f	70